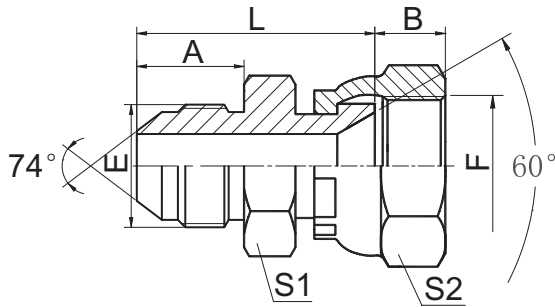


# 过渡接头 ADAPTER



美制 JIC 外螺纹 74° 外锥 / 日本公制内螺纹  
 JIC MALE 74° CONE/JIS METRIC FEMALE

代号 PART NO.	螺纹 THREAD		尺寸 DIMENSIONS						
	E	F			A	B	L	S1	S2
2JK-04-14	7/16"X20	M14X1.5			14	10.5	28.5	14	19
2JK-06-16	9/16"X18	M16X1.5			14.1	9.3	29.5	17	22
2JK-06-18	9/16"X18	M18X1.5			14.1	11.5	30.5	17	24
2JK-08-22	3/4"X16	M22X1.5			16.7	14	35.5	22	27
2JK-10-24	7/8"X14	M24X1.5			19.3	15.1	38.5	24	32
2JK-12-24	1.1/16 "X12	M24X1.5			21.9	15.1	43.5	30	32
2JK-12-30	1.1/16 "X12	M30X1.5			21.9	18.3	44.5	30	36
2JK-16-33	1.5/16"X12	M33X1.5			23.1	21.3	46.5	36	41